

Aerohive AP121

802.11n Dual Radio access point



The **Aerohive Networks AP121** is a cost-effective, enterprise-grade (2x2) MIMO solution, ideal for education, healthcare and distributed enterprise environments.

AEROHIVE NETWORKS AP121 access points provide 2x2:2 802.11n as well as optimized RF performance and enhanced receive sensitivity to provide a ground-breaking user experience for networks supporting multiple types of clients, including consumer-grade and bring-your-own devices (BYOD).

The Aerohive AP121 is a cost-effective, enterprise-grade 2x2 MIMO solution, which is ideal for education, healthcare, and distributed enterprise environments. With two radios, concurrent 2.4Ghz and 5Ghz access, and security scanning across both bands, the AP121 provides top performance and security at an entry-level price point.

The AP121 also provides both automatic mesh redundancy and support for 802.11a, b, g and n clients, through Aerohive's industry unique and resilient Cooperative Control Architecture.

The Aerohive AP121 shares mounting kits and power supplies with the Aerohive AP330 and AP350, making sparing, re-ordering, stocking, and inventory management seamless.

Key Features and Benefits

Cooperative Control

All Aerohive access points are built upon the deep, feature rich HiveOS operating system. HiveOS is the backbone of the Aerohive Cooperative Control architecture, and allows the access points to organize into groups or "hives" that coordinate advanced features such as layer 2/ layer 3 roaming, cooperative RF management, security information, and mesh networking without requiring a controller. Cooperative Control provides all the benefits of coordinated, next-generation Wi-Fi with lower Total Cost of Ownership (TCO), more reliability, more scalability, higher performance, and with a focus on truly optimizing mobility in a mobile first enterprise.

High Performance, Secure Wi-Fi with On-Demand Provisioning

The Aerohive AP121 is a 2x2 802.11n access point with integrated features such as RADIUS, 802.1X security, Captive Web Portal, and cloud-based management. By integrating with the Aerohive Cloud Services Platform, the AP121 can be brought online simply by plugging it in. It will automatically find the HiveManager, either in Aerohive's public cloud or on a customer premises, download complete configuration, security, and corporate policies, and instantly provide service for connected devices.

Integrated Application Priority and Control

By using the robust Quality of Service (QoS) and stateful firewall built into Aerohive access points, the AP121 supports optimizing user application experience on the network. Aerohive access points allow an administrator to create customized user profiles based on context, such as identity of the user, device type, location, and time of day, to prioritize or block applications based on what is critical to that particular user. This user-focused approach ensures every user experience is optimized for mobility.

Warranty and Support

Every Aerohive Networks device is backed by a limited lifetime hardware warranty. Extended product and technical support may be purchased separately and can include next day advanced replacement, 24x7 or 8x5 technical support, web and email support access, and software updates. For complete support terms go to www.aerohive.com/support.

Contact us today to learn how your organization can benefit from an Aerohive wireless LAN architecture.



Aerohive Networks, Inc.

330 Gibraltar Drive
Sunnyvale, California 94089 USA
phone 408.510.6100
toll-free 866.918.9918
fax 408.510.6199
www.aerohive.com

Product Specifications

Mounting

- Desktop
- Wall Mount bracket included
- Ceiling Tile Bracket 15/16" included, 9/16" sold as an accessory
- Recessed Ceiling Tile Bracket 15/16" sold as an accessory
- Suspend Mount sold as an accessory
- Plenum Mount sold as an accessory

Physical Security

- Kensington security lock point

Dual Concurrent Radios (b/g/n + a/n)

- 802.11a: 1,2,5,5 and 11Mbps
 - 5.150-5.850 GHz Operating Frequency
 - Orthogonal Frequency Division Multiplexing (OFDM) Modulation
 - 24 dBm Transmit Power
 - Rates (Mbps): 54, 48, 36, 24, 18, 12, 9, 6 w/ auto fallback
- 802.11b: 1,2,5,5 and 11Mbps
 - 2.4-2.5 GHz Operating Frequency
 - Direct-Sequence Spread-Spectrum (DSSS) Modulation
 - 20 dBm Transmit Power
 - Rates (Mbps): 11, 5.5, 2, 1 w/ auto fallback
- 802.11g: 6,9,12,18,24,36,48, and 54 Mbps
 - 2.4-2.5 GHz Operating Frequency
 - Orthogonal Frequency Division Multiplexing (OFDM) Modulation
 - 22 dBm (100 mW) Transmit Power
 - Rates (Mbps): 54, 48, 36, 24, 18, 12, 9, 6 w/ auto fallback
- 802.11n (HT20/HT40): MCS0-MCS7
 - 2.4-2.5 GHz & 5.150-5.950 GHz Operating Frequency
 - 802.11n Modulation
 - 24 dBm Transmit Power
 - Rates (Mbps): MCS0 - MCS15 (6.5Mbps - 300Mbps)
 - 2x2 Multiple-In, Multiple-Out (MIMO) Radio
 - HT40 High-Throughput (HT) Support

Antennas

- 2x Integrated single band, 2.4-2.5 GHz Omni-directional, 4.0 dBi gain
- 2x Integrated single band, 5.1-5.8 GHz Omni-directional, 4.0 dBi gain

Interfaces

- Autosensing 10/100/1000 Base-T Ethernet Port
- Power over Ethernet (PoE) capable (802.3af) Ethernet Port (Etho)
- 1x Reset Pinhole
- USB 2.0 port reserved for future use
- RJ-45 console port

Physical

- 6.69" W x 1.63" H x 6.69" D (170 mm W x 41 mm H x 170 mm D)
- 11.6 oz (0.36 kg)

Environmental

- Operating: 0 to +40°C, Storage: -40 to +85°C
- Humidity: 95% RH (non-condensing)

Environmental Compliance

- Plenum rated

Power Options

- 802.3af Power over Ethernet (PoE) port
- 12V, 2A DC external power adapter (sold separately. Not for commercial sale in Brazil)

Power Specifications

- AC/DC power adapter:
 - Input: 100-240 VAC -Output: 12V/2A
- PoE nominal input voltages: 48V, 0.35A (802.3af)
- Typical power consumption: 8w
- RJ-45 power input pins: Wires 4,5,7,8or1,2,3,6

Power & Sensitivity Table

Power shown is per transmit chain and is a maximum power that the radio is capable of, power limits will be limited by local radio regulations.

Rate	2.4GHz		5GHz	
	TX Power	RX Sensitivity	TX Power	RX Sensitivity
802.11b				
1 Mbps	21	-100	n/a	n/a
11 Mbps	21	-93	n/a	n/a
802.11g/a				
6 Mbps	20	-95	19	-95
54 Mbps	16	-80	14	-80
802.11n HT20				
MCS0	20	-95	19	-91
MCS7	14	-77	14	-74
MCS8	20	-95	19	-91
MCS15	14	-77	17	-74
802.11n HT40				
MCS0	19	-92	19	-88
MCS7	14	-72	14	-71
MCS8	19	-92	19	-88
MCS15	14	-74	14	-71

Features & Benefits

Flexible Hardware Platform

- Multiple radios provide concurrent 802.11a/n and 802.11b/g/n connections with no degradation in performance
- Automatic or dedicated mesh backup
- Dual Ethernet ports for etherchannel or backup connectivity.
- Plenum Rated APs for indoor, office environments
- Supports 802.3af PoE or standard power adapter
- USB interface for future 3G/4G services
- Hardware acceleration for IPsec services

Innovative Design

- Low profile design blends well into an office environment
- Feature optimized hardware design
- Low-distraction indicators appear as gently glowing rather than bright blinking lights

Hardware Assisted Features

Security

- Trusted Platform Module (TPM)-Hardware-based key storage and encryption
- Wireless privacy & authentication Wi-Fi CERTIFIED™ WPA™ and WPA2™, 802.11i, WEP, 802.1x, PSK

- Granular user profile-based management defines QoS, mobility policies, and security policies for each user that enters the network
- Encryption: AES:CCMP, TKIP, and RC4 (WEP only)
- Marking and policing-WMM™ (802.11e) for wireless, 802.1p and/or DiffServ
- Wi-Fi CERTIFIED WMM
- WMM power save (U-APSD)

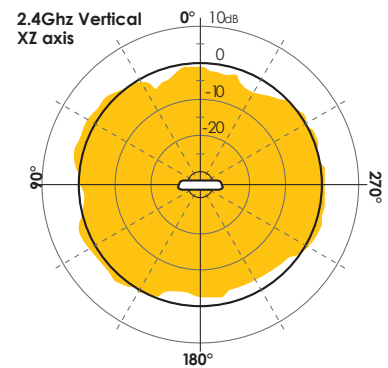
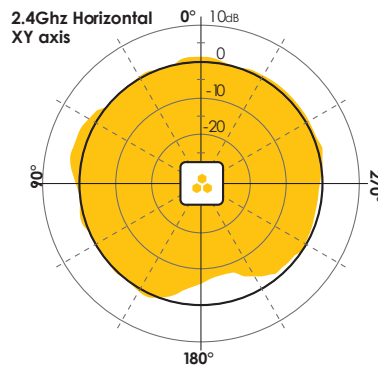
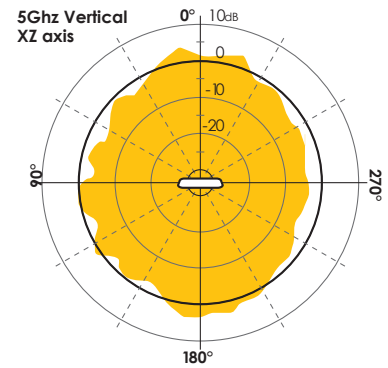
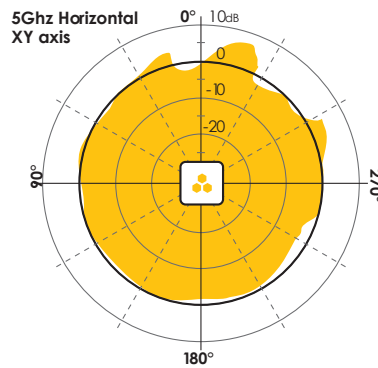
Anti-Theft

- Designed to work with Kensington-style locks
- Tamper-proof security screw (with bracket option)

Advanced Features

- Integrated application control and prioritization
- On-device RADIUS with directory support, Captive Web Portal, DHCP server, and spectrum analysis
 - Max 256 concurrent RADIUS authenticated users
 - Max 512 DHCP clients per AP
- Voice-Enterprise support

RF Coverage Maps



SKU	Description
Aerohive APs	
AH-AP-121-N-FCC	Aerohive AP121, Plenum Rated, two 802.11a/b/g/n radio, one 10/100/1000 Ethernet (PoE), FCC regulatory domain w/o power supply
AH-AP-121-N-W	Aerohive AP121, Plenum Rated, two 802.11a/b/g/n radio, one 10/100/1000 Ethernet (PoE), configurable regulatory domain w/o power supply
AP Accessories	
AH-ACC-SERIAL-RJ45	RJ45 to DB9 Serial Console Cable
AH-ACC-PWR-24W-XX	24W power supply for AP121, AP141, AP330, AP350, with US, EU, UK, AU power plug
AH-ACC-INJ-20W-XX	20W indoor rated PoE power injector for AP100 series with US, EU, UK, AU power cord