

Aerohive AP170

802.11n outdoor access point



The **Aerohive AP170** is a durable, enterprise-grade, high performance (2x2) MIMO solution, specially designed for outdoor high-bandwidth-demand wireless deployments in harsh environments.

AEROHIVE NETWORKS AP170 is a high-performing, cost-effective, and rugged 802.11n outdoor access point (AP). The AP170 provides high-performance dual concurrent (2.4GHz and 5GHz) 802.11n (2x2) MIMO as well as a 10/100/1000 Ethernet port.

The Aerohive AP170 is an enterprise-grade, high performance (2x2) MIMO solution, designed for high bandwidth demand outdoor wireless environments. With extended temperature range and a watertight chassis, the AP170 can be deployed in most every outdoor environment on earth. With four antennas and the ability to provide service concurrently on both 2.4GHz and 5GHz bands, the AP170 provides both high speed mesh and support for 802.11n as well as legacy 802.11a, b, and g clients, through Aerohive's industry unique and resilient controller-less architecture.

Key Features and Benefits

Cooperative Control

All Aerohive access points are built upon the deep, feature rich HiveOS operating system. HiveOS is the backbone of the Aerohive Cooperative Control architecture, and allows the access points to organize into groups or "hives" that coordinate advanced features such as layer 2/ layer 3 roaming, cooperative RF management, security information, and mesh networking without requiring a controller. Cooperative Control provides all the benefits of coordinated, next-generation Wi-Fi with lower Total Cost of Ownership (TCO), more reliability, more scalability, higher performance, and with a focus on truly optimizing mobility in a mobile first enterprise.

High Performance, Secure Wi-Fi with On-Demand Provisioning

The Aerohive AP170 is a rugged outdoor 802.11n access point with integrated features such as RADIUS, 802.1X security, Captive Web Portal, and cloud-based management. By integrating with the Aerohive Cloud Services Platform, the AP170 can be brought online simply by plugging it in. It will automatically find the HiveManager, either in Aerohive's public cloud or on a customer premises, download complete configuration, security, and corporate policies, and instantly provide service for connected devices.

Integrated Application Priority and Control

By using the robust Quality of Service (QoS) and stateful firewall built into Aerohive access points, the AP170 supports optimizing user application experience, even outdoors. Aerohive access points allow an administrator to create customized user profiles based on context, such as identity of the user, device type, location, and time of day, to prioritize or block applications based on what is critical to that particular user. This user-focused approach ensures every user experience is optimized for mobility.

Warranty and Support

Every Aerohive Networks device is backed by a limited lifetime hardware warranty. Extended product and technical support may be purchased separately and can include next day advanced replacement, 24x7 or 8x5 technical support, web and email support access, and software updates. For complete support terms go to www.aerohive.com/support.

Contact us today to learn how your organization can benefit from an Aerohive wireless LAN architecture.



Aerohive Networks, Inc.

330 Gibraltar Drive
Sunnyvale, California 94089 USA
phone 408.510.6100
toll-free 866.918.9918
fax 408.510.6199

www.aerohive.com

Product Specifications

Included Mounting Options

- Wall Mount
- Pole Mount 1 to 2.5 inches in diameter

Radio Specifications—802.11a

- 5.150–5.950 GHz Operating Frequency
- Orthogonal Frequency Division Multiplexing (OFDM) Modulation
- Rates (Mbps): 54, 48, 36, 24, 18, 12, 9, 6 w/ auto fallback

Radio Specifications—802.11b

- 2.4–2.5 GHz Operating Frequency
- Direct-Sequence Spread-Spectrum (DSSS) Modulation
- Rates (Mbps): 11, 5.5, 2, 1 w/ auto fallback

Radio Specifications—802.11g

- 2.4–2.5 GHz Operating Frequency
- Orthogonal Frequency Division Multiplexing (OFDM) Modulation
- Rates (Mbps): 54, 48, 36, 24, 18, 12, 9, 6 w/ auto fallback

Radio Specifications—802.11n

- 2.4–2.5 GHz & 5.150–5.950 GHz Operating Frequency
- 802.11n Modulation
- Rates (Mbps): MCS0 – MCS15 (6.5Mbps – 300Mbps)
- 2x2 Multiple-In, Multiple-Out (MIMO) Radio
- HT20 and HT40 High-Throughput (HT) Support
- A-MPDU and A-MSDU Frame Aggregation

Antennas

- 4x N-type jack antenna connections for external antennas
- Antennas sold as accessory

Interfaces

- Autosensing 10/100/1000 Base-T Ethernet PoE (Power over Ethernet 802.3at) Port

Physical

- LxWxH: 9 5/8 x 7 7/8 x 3 in. w/ locking hole extensions
- LxWxH: 8 13/16 x 7 1/8 x 2 3/4 w/o locking hole extensions
- 4.3 lbs, 6.05 lbs w/antennas and brackets

Environmental

- Operating: -40 to +55°C, Storage: -40 to +80°C
- Humidity: 95%

Environmental Compliance

- IP 68

Power Options

- 802.3at Power over Ethernet (PoE) port

Power Specifications

- IEEE 802.3at PoE Power
- 48V, 0.625 A (802.3at)
- RJ-45 power input pins: Wires 4, 5, 7, 8 or 1, 2, 3, 6

Power & Sensitivity Table

Power shown is per transmit chain and is a maximum power that the radio is capable of, power limits will be limited by local radio regulations.

Rate	2.4GHz, 5dBi		5GHz, 7dBi	
	TX Power	RX Sensitivity	TX Power	RX Sensitivity
802.11b				
1 Mbps	27	-95		
11 Mbps	27	-90		
802.11g/a				
6 Mbps	27	-94	26	-95
54 Mbps	24	-80	21	-80
802.11n				
MCS0	27	-95	27	-94
MCS7	23	-77	21	-76
MCS8	27	-90	27	-91
MCS15	23	-75	21	-73

Features & Benefits

- Two radios provide concurrent 802.11a/n and 802.11b/g/n connections with no degradation in performance
- Automatic or dedicated mesh backup
- Supports 802.3at PoE

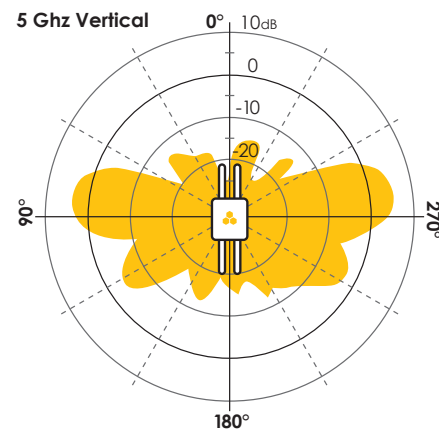
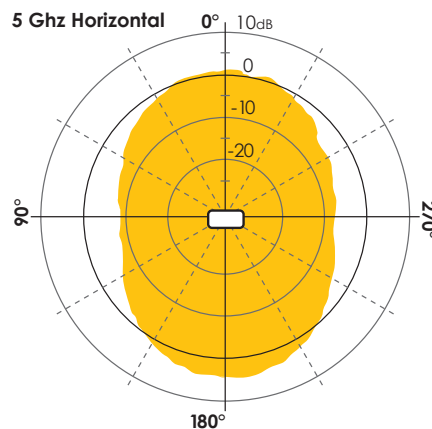
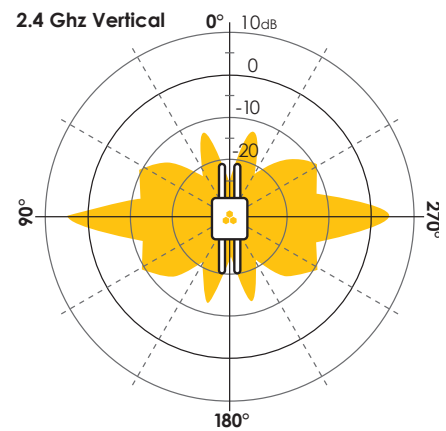
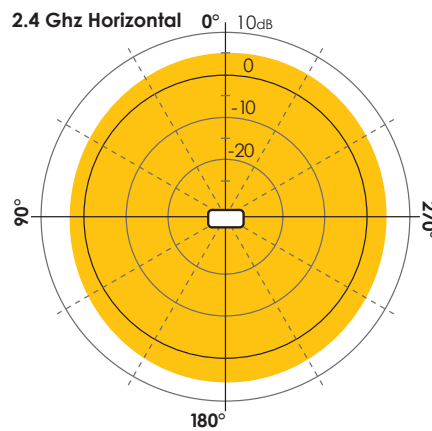
Advanced Features

- Integrated application control and prioritization
- On-device RADIUS with directory support, Captive Web Portal, DHCP server, and spectrum analysis
 - Max 256 concurrent RADIUS authenticated users
 - Max 512 DHCP clients per AP

Hardware Assisted Features

- Trusted Platform Module (TPM)—Hardware-based key storage and encryption
- Wireless privacy & authentication Wi-Fi CERTIFIED™ WPA™ and WPA2™, 802.11i, WEP, 802.1x, PSK
- Granular user profile-based management defines QoS, mobility policies, and security policies for each user that enters the network
- Encryption: AES:CCMP, TKIP, and RC4 (WEP only)
- Marking and policing—WMM™ (802.11e) for wireless, 802.1p and/or DiffServ
- Wi-Fi CERTIFIED WMM
- WMM power save (U-APSD)

RF Coverage Maps



SKU	Description
Aerohive APs	
AH-AP-170-N-FCC	Aerohive AP170, one 802.11b/g/n radio, one 802.11a/n radio, one 10/100/1000 Ethernet (PoE), wall and pole mount, FCC regulatory domain without power supply
AH-AP-170-N-W	Aerohive AP170, one 802.11b/g/n radio, one 802.11a/n radio, one 10/100/1000 Ethernet (PoE), wall and pole mount, configurable regulatory domain without power supply
AP Accessories	
AH-ACC-170-ANT-2G	2.4Ghz N-Plug outdoor 5dBi antenna for Aerohive AP170
AH-ACC-170-ANT-5G	5Ghz N-Plug outdoor 7dBi antenna for Aerohive AP170
AH-ACC-170-ANT-KIT	Aerohive AP170 outdoor antenna kit (2x2.4Ghz 5dBi and 2x5Ghz 7dBi)
AH-ACC-170-ANT-18	5Ghz N-Plug outdoor 18dBi directional antenna for AP170
AH-ACC-OINJ-30W	30W Outdoor PoE injector for Aerohive AP170
AH-ACC-ETH-PROT	Ethernet Lighting Protector for Building Entrance